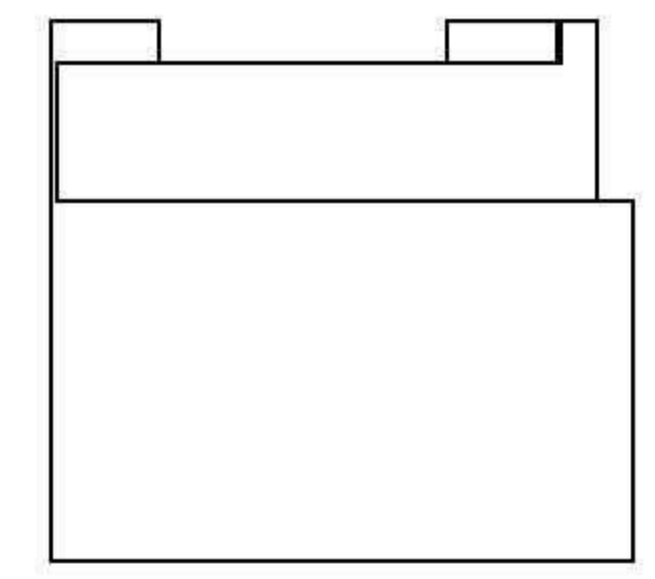
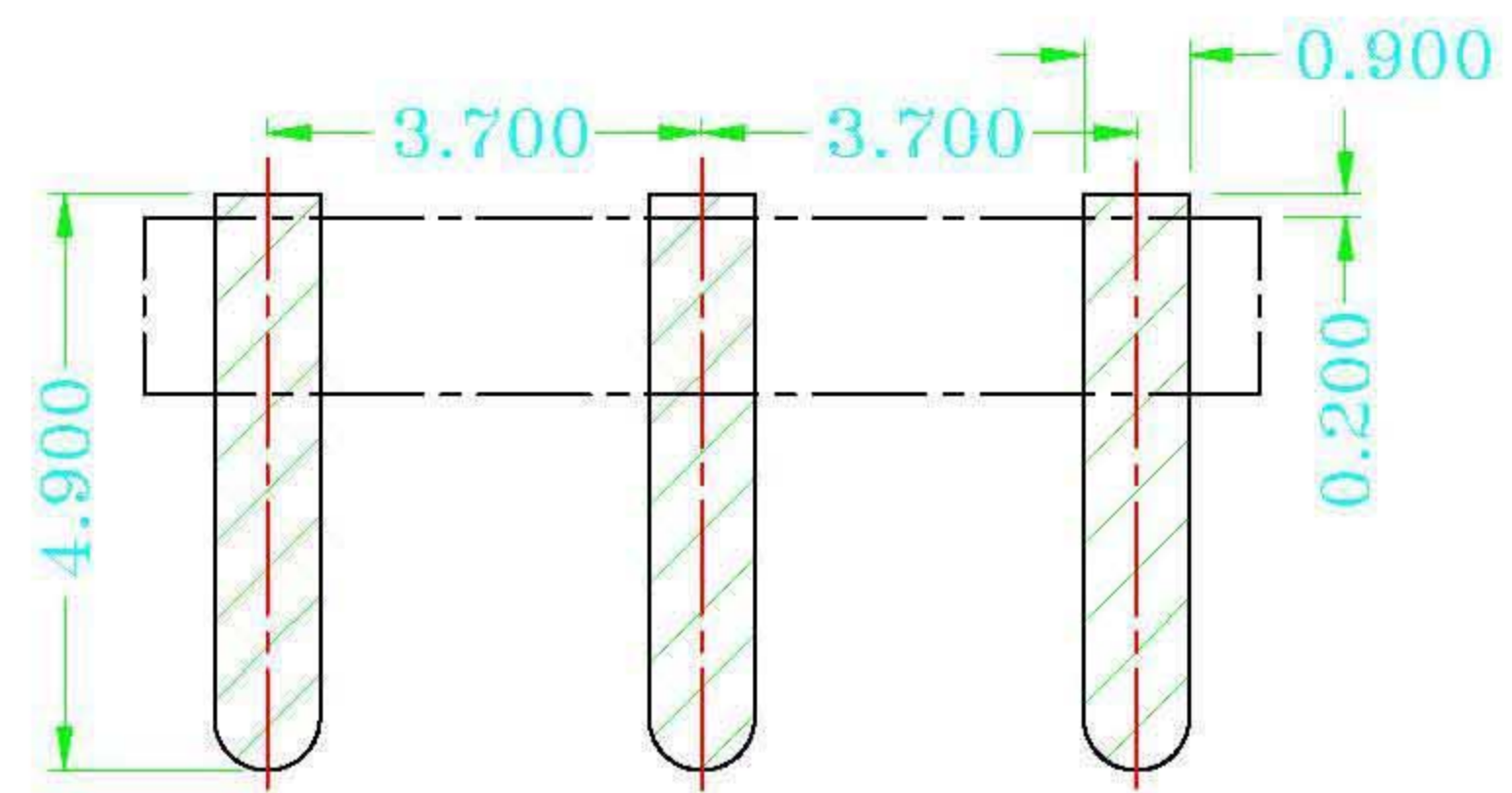
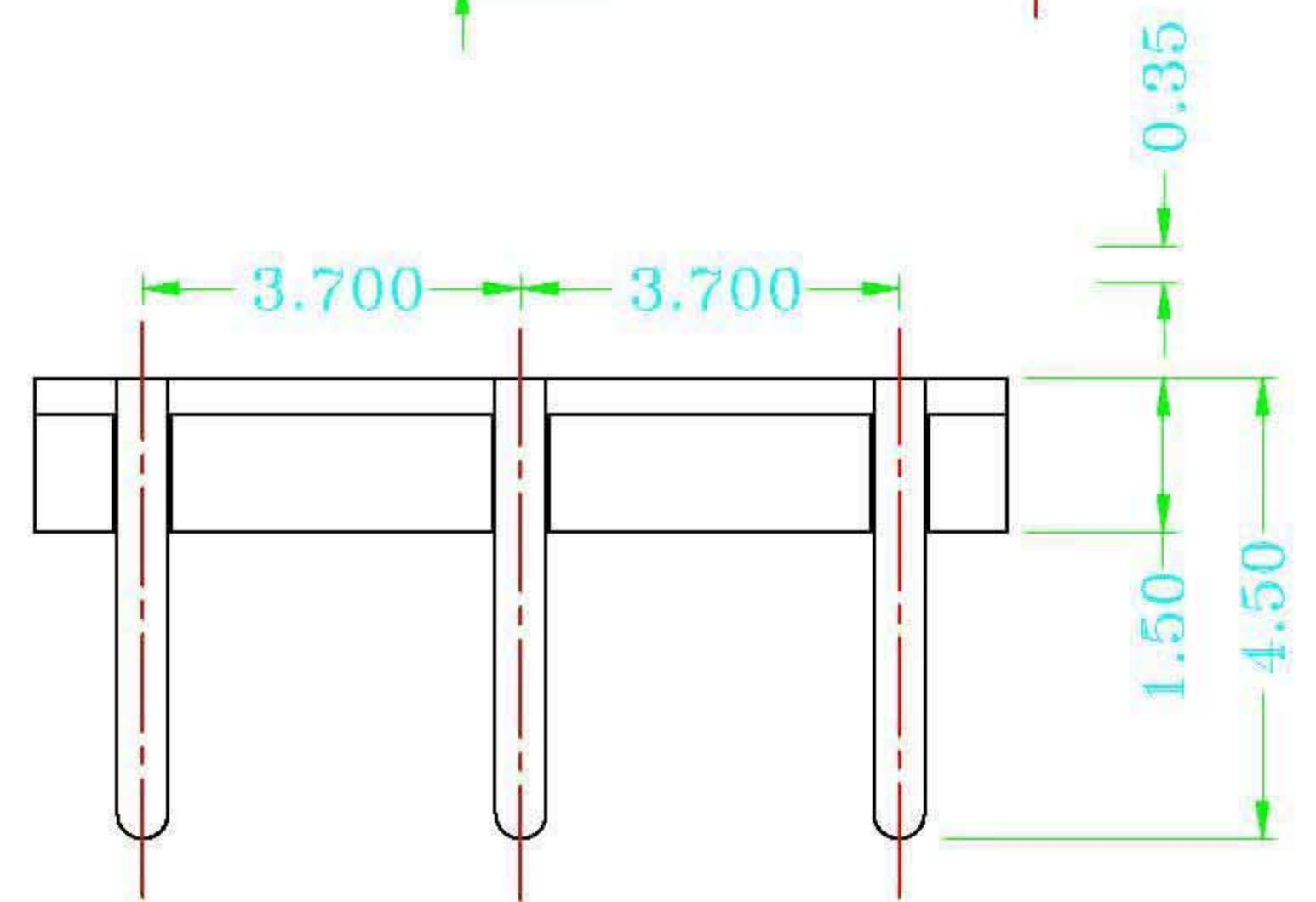
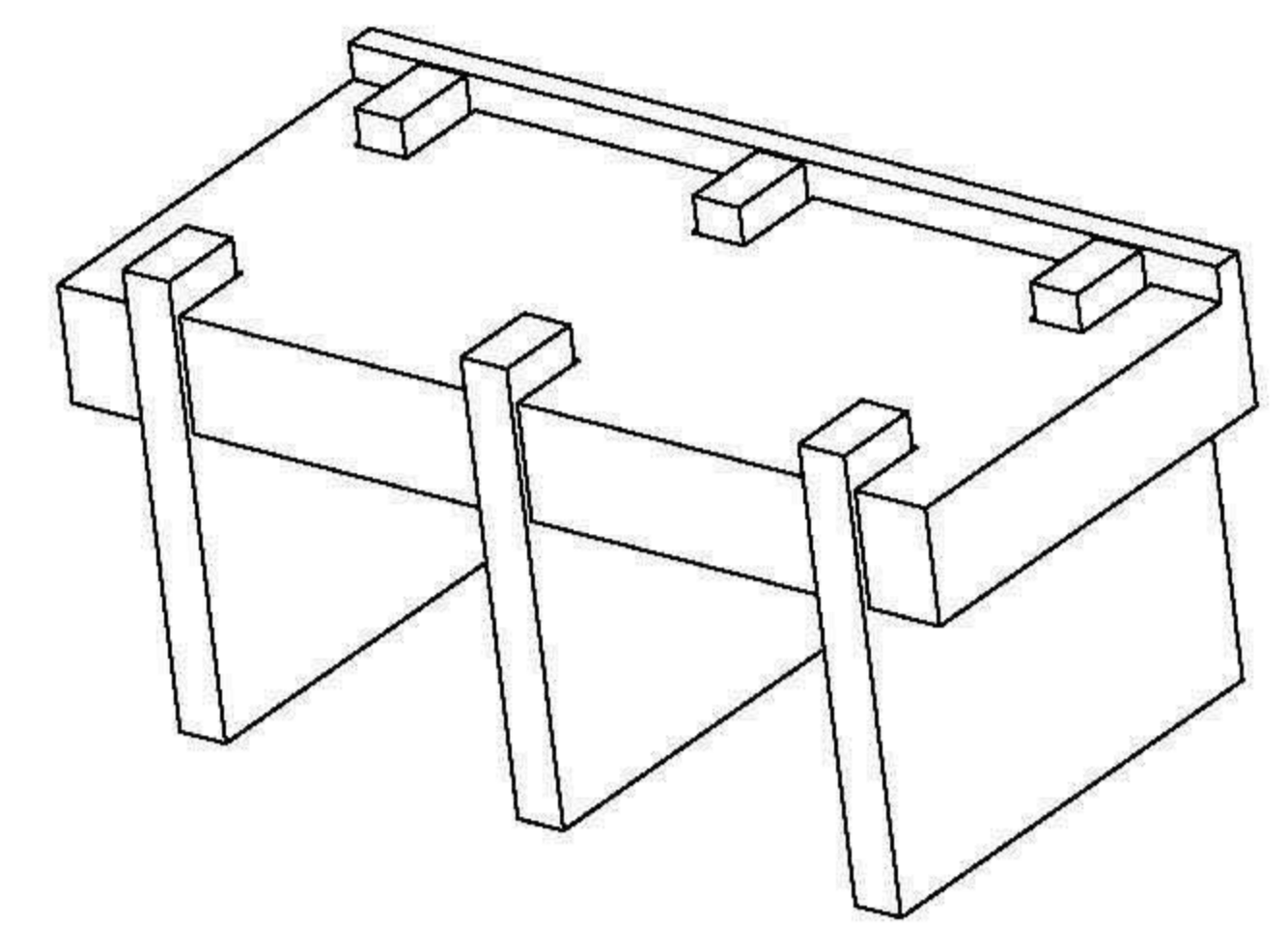
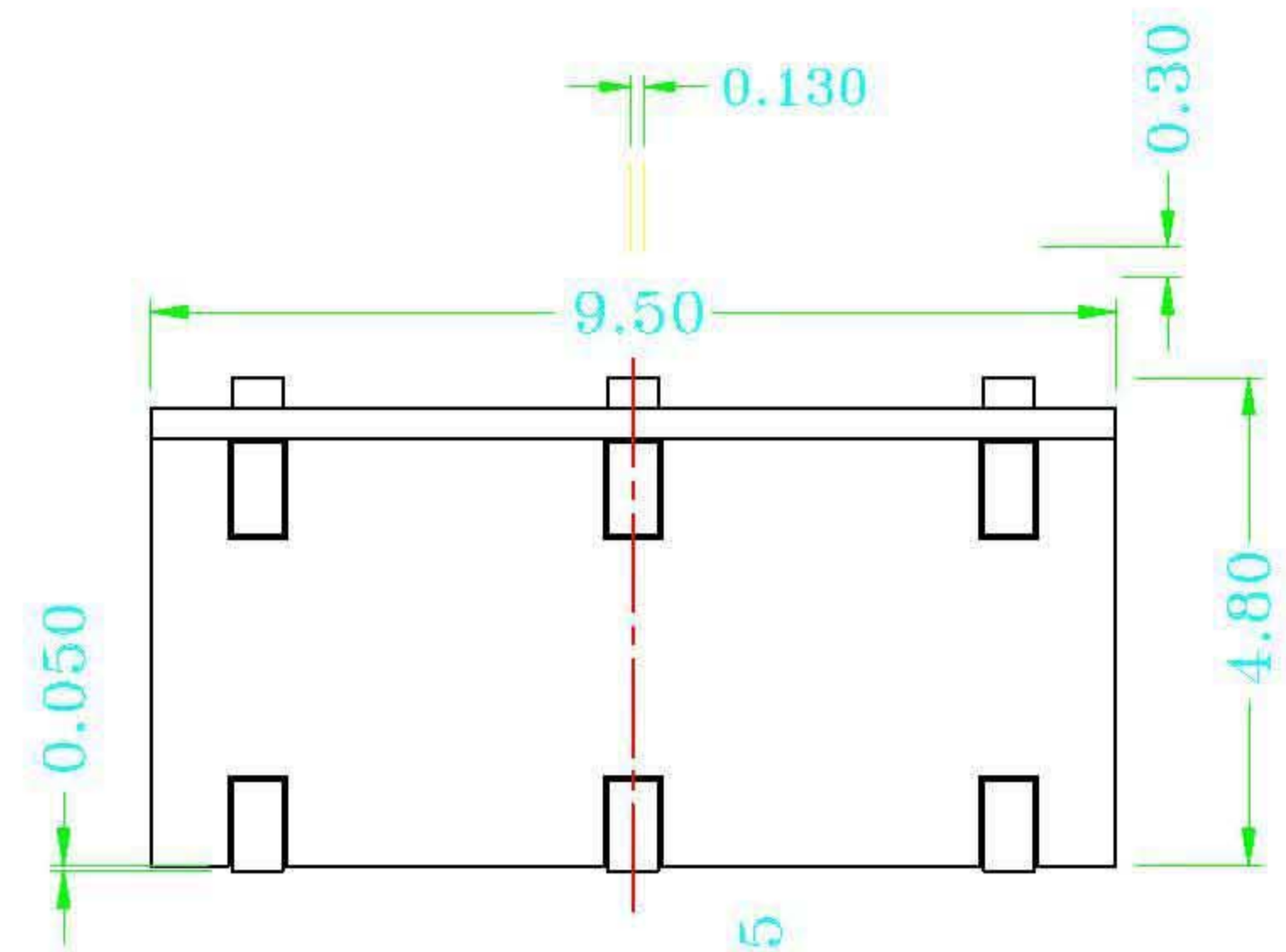
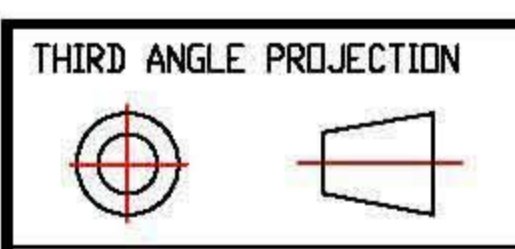


ZONE	REV.	DESCRIPTION	DATE	APPROVED
	X0	ENGINEERING APPROVAL	06/11/09	



PCB LAYOUT

序号	名称	数量	单重:g	材质与涂镀
1	主体胶芯	1		LCP
2	端子	3		黄铜



UNLESS OTHERWISE NOTED:
 1) DIMENSIONS ARE IN MILLIMETER
 2) TOLERANCES:
 X. ± 0.5 X.* ± 2°
 X.X ± 0.2 X.X* ± 1.0°
 X.XX ± 0.1 X.XX* ± 0.5°
 X.XXX ± 0.03

东莞市凌润电子科技有限公司			
DRAWN	Katrina Young	TITLE	3.5Pitch 6Pin Conn
CHECKED		PART NO.	DC-095-030
APPROVED		DWG NO.	
MATE	SCALE	1:1	REV A SHEET 1