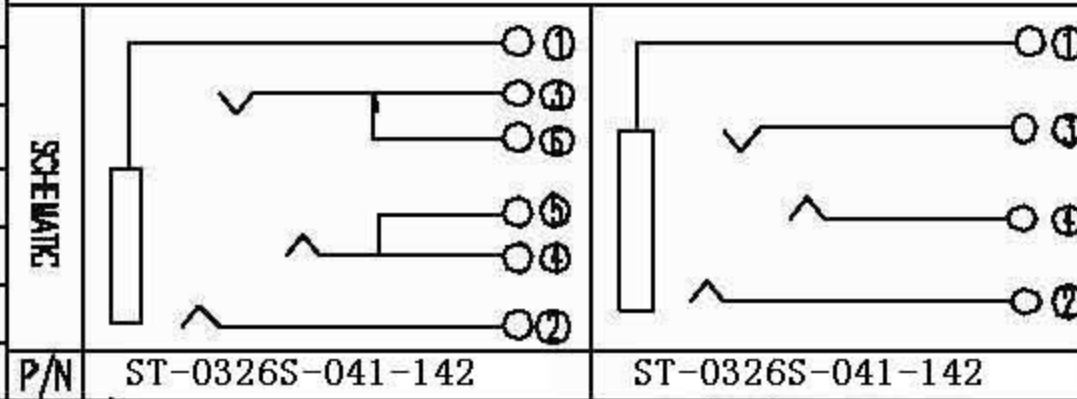


REVISIONS						
REV.	ECN NO.	DESCRIPTION	DATE	DRAWN	CHECKED	APPROVED
T1	EDN-11-0171	NEW RELEASE	11/25/05'	Y.S.BH		

- NOTES :
- 1.0. RATING :
 - 1.1. VOTAGE : 12 VAC (R.M.S.)
 - 1.2. CURRENT : 1 AMPERE MAXIMUM PER CONTACT AT 30°C T-RISE
 - 1.3. TEMPERATURE : -20°C TO +70°C
 - 2.0. ELECTRICAL CHARACTERISTIC :
 - 2.1. CONTACT RESISTANCE : 50 MILLIOHMS MAXIMUM INITIAL
 - 2.2. INSULATION RESISTANCE : 100 MEGOHMS MINIMUM
 - 2.3. DIELECTIC WITHSTANDING VOLTAGE : 500 VAC AT SEA LEVEL
 - 3.0. MATERIALS :
 - 3.1. CONTACT : COPPER ALLOY
 - 3.2. HOUSING : THERMOPLASTIC, GLASS FILLED, 130°C, UL 94V-0 RATED
 - 4.0. MECHANICAL :
 - 4.1. INSERTION FORCE(PER CONTACT): 300~3000 GRAMS
 - 4.2. WITHDRAWAL FORCE(PER CONTACT): 300~3000 GRAMS
 - 4.3. DURABILITY ,MINIMUM: MATED 5000 TIMES WITHOUT DEGRADING
 - 4.4. CONTACT FORCE, MINIMUM: 80 GRAMS
 - 5.0. OTHER:
 - 5.1. THE MARK OF "▼" SHOULD BE INSPECTED

NO.	Part Name	QTY	Description	Plated/Color	Note
1	TERMINAL A	1	C5191R-H T=0.20mm	Plated Au	
2	TERMINAL B	1	C5191R-H T=0.25mm	Plated Au	
3	TERMINAL C	1	C17200 T=0.20mm	Plated Au	
4	TERMINAL D	1	C521DR-H T=0.25mm	Plated Au	
5	TERMINAL E	1	C26BDR-H T=0.25mm	Plated Au	
6	TERMINAL F	1	C26BDR-H T=0.20mm	Plated Au	
7	HDUSING	1	LCP+30%G.F.(UL-94V-0)	Color: BLACK	



UNLESS OTHERWISE SPECIFIED	
TOLERANCES	
GENERAL	.XX ±0.15
ANGULAR	.XX ±3.0'
I-P (INTERSECTION POINT)	
Q-P (QUADRANT POINT)	
T-P (TANGENCY POINT)	
SCALE	4 : 1
SHEET	1 OF 1
UNIT	MM

东莞市凌润电子科技有限公司			
DRAWN	ZW	DATE	11/25/05'
DESIGN	ZW	DATE	11/25/05'
CHECKED		DATE	
APPROVED		DATE	
TITLE		4.5mm PHONE JACK 4 POLE SMT TYPE ASSY DRAWING	
PART NO.		ST-0326S-060-100	
DWG NO.		ST-0326S-060-100	
SIZE		A4	
REV.		T1	
CUSTOMER DRAWING			